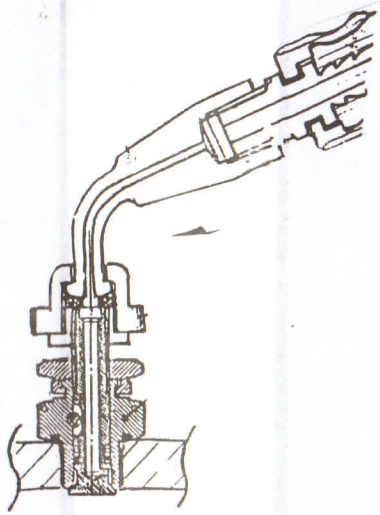
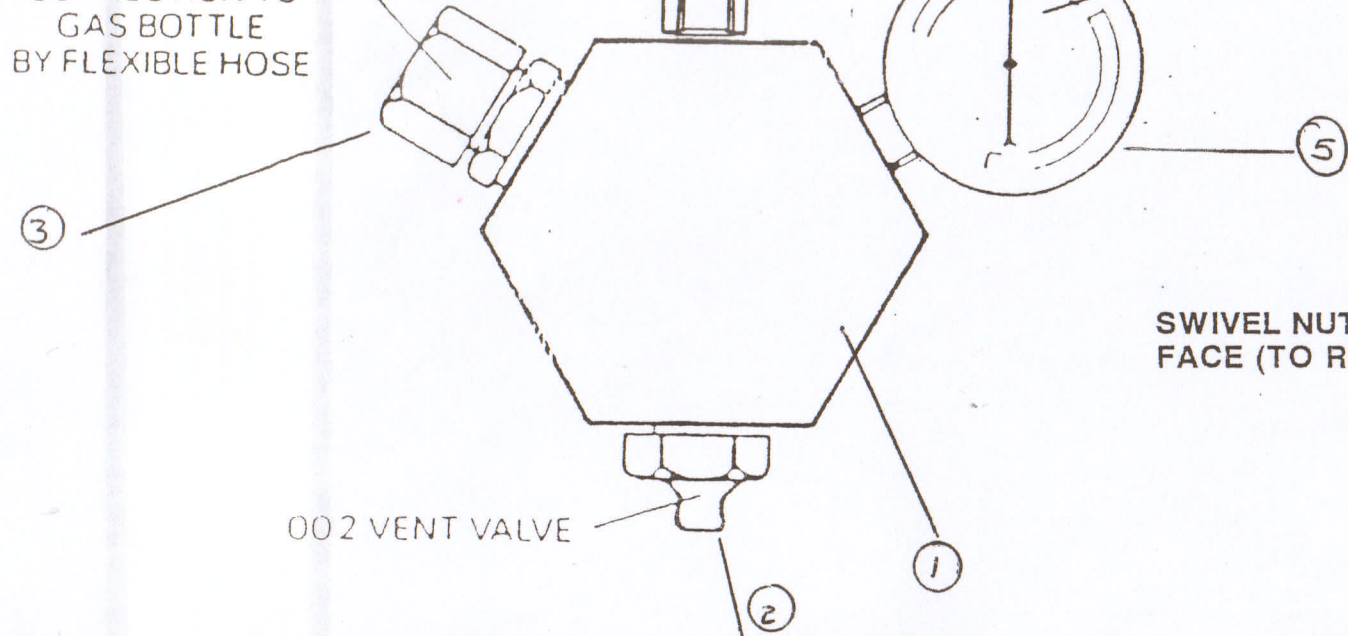
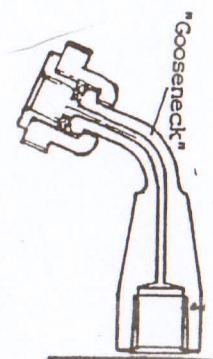


No.	ALTERATION	Sig/Dtc.

PARTS LIST.		
6	2 mtr FLEX HOSE.	1
5	PRESSURE GAUGE.	1
4	Gooseneck.	1
3	004 CHECK VALVE.	1
2	002 VENT VALVE.	1
1	BODY.	1
It.#	Description/Size	Qty

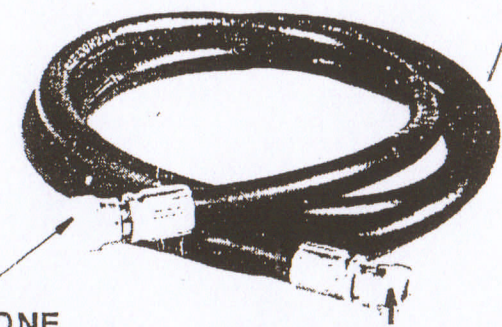


004 CHECK VALVE
CONNECTION TO
GAS BOTTLE
BY FLEXIBLE HOSE



BSP GAUGE

2 METER FLEX HOSE ASSY



SWIVEL NUT CONE
FACE (TO REGULATOR)

SWIVEL NUT (FLAT FACE)
TO CHARGING ASSY

QTY.:
W/O No.:
CUSTOMER:
CAST No.:
INSPECT'N (Int):
INSPECT'N (Ext):
Shop Issue Date:
MATERIAL:
DRG No.

LIQUID DYNAMICS



MEMBRANOFLEX LIMITED
HURSTFIELD IND. ESTATE
HURST ST. REDDISH STOCKPORT SK5 7SD
TEL: 061-442 6222 FAX: 061-443 1486

TITLE:
001STP7/PG CHARGING ASSY

FOR:

SCALE	ALL DIM'S IN MM
LIMITS - 0.25 UNLESS OTHERWISE STATED	
DRAWN BY:	
CHECKED BY:	
TRACED BY:	
DATE:	

001STP7/PG