

THE DIFFERENCE IS IN THE DETAIL

when you have made them for a third of a century.

RELIABILITY



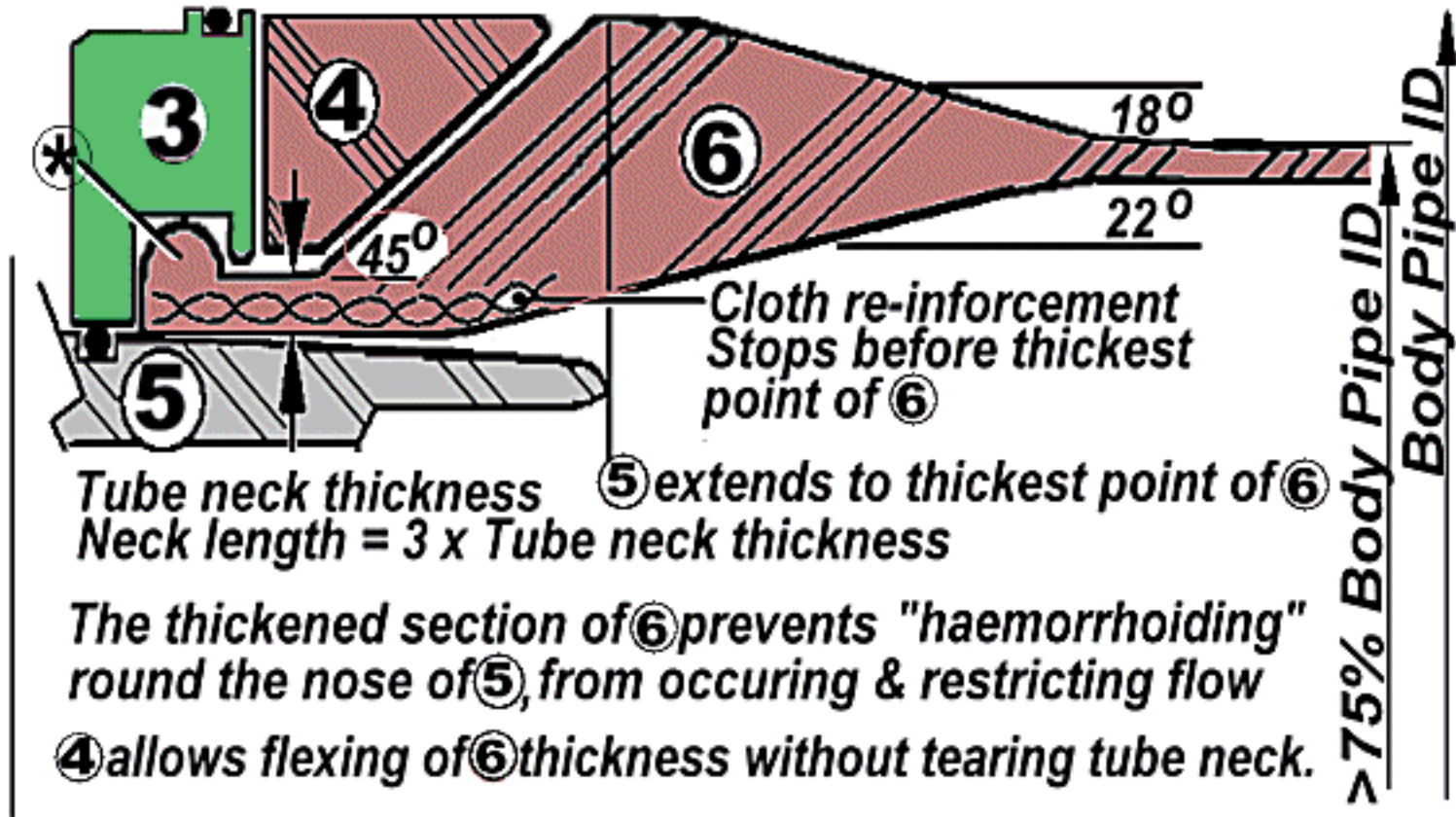
1970 original MAXITROL tube



Had internal lip seal

EVEN MORE RELIABILITY

Redesigned in 1980 with external "O" bead seal* easy service, & named **THE PUMPGUARD** range



Takes only 0.1 Bar 1.5psi to deflect the FlexTube.

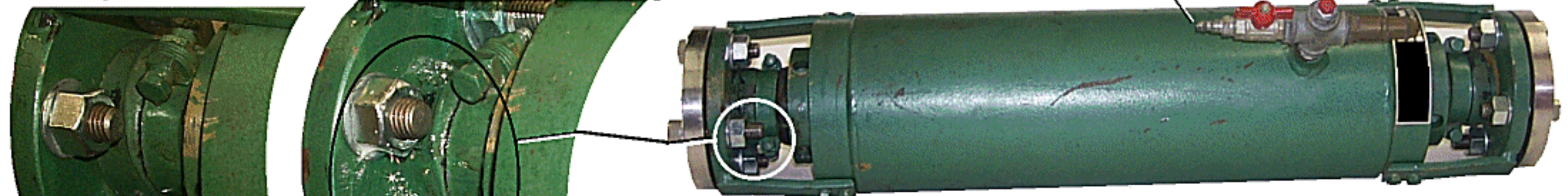
Will dampen to within 0.2bar 3psi peak to peak.

You have 100% of the size performance you specify, not a tenth of 1 %.

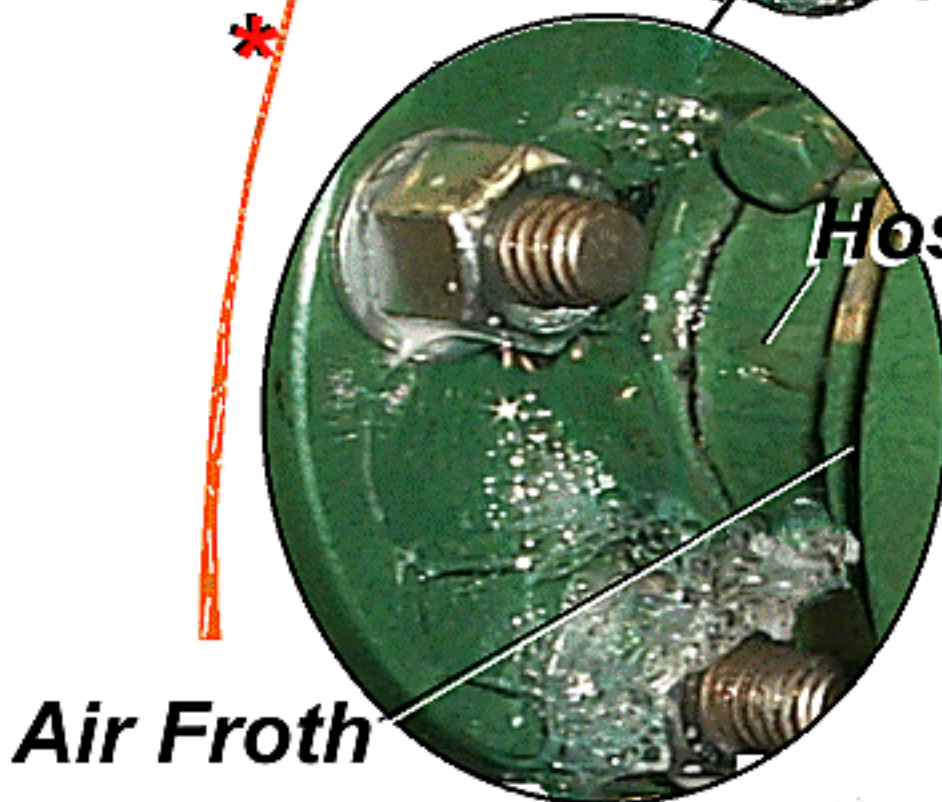
Beware of come lately (below) "copies !" of hose dampers.

BEFORE YOU PAY 10 x MORE BY GOING TO "WAVEGUARD" BLADDERLESS DAMPERS, TRY OUR FLEX-TUBES

Rely - on what- A hose clamp ? Connection for compressor supply



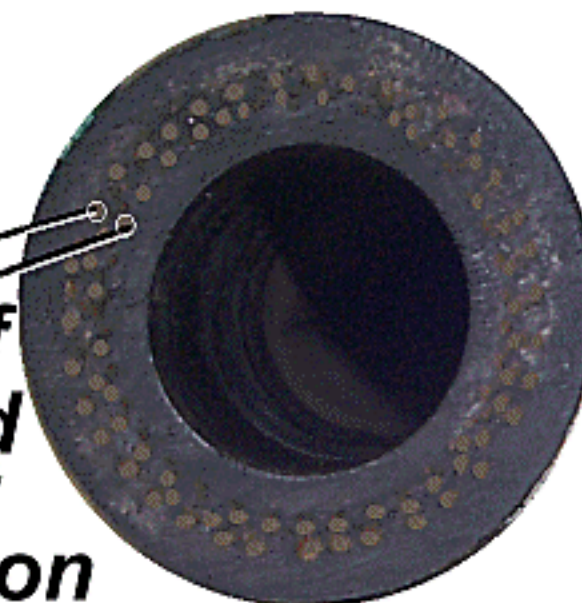
* Takes a leak at 150 psi / 10 bar, Froths at the mouth at 20 Bar. 10 Litres / 2.5 Gals Nominal but only responds like 1 cubic inch.



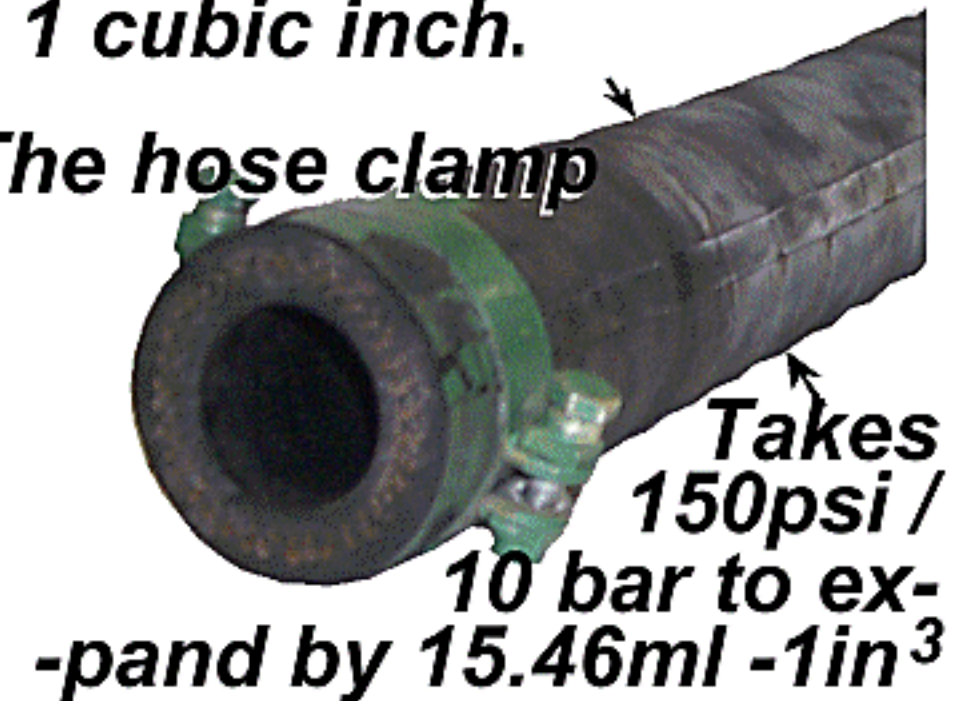
Air Froth

Hose clamp!

Several layers of tire cord prevent expansion



The hose clamp



Takes 150psi / 10 bar to expand by 15.46ml -1in³

And so the popular request for "Bladderless Dampers"

DETAIL DIFFERENCES ARE FUNDAMENTAL TO RELIABILITY AND PERFORMANCE
Come to PulseGuard where the word Quality means "suitability for purpose"