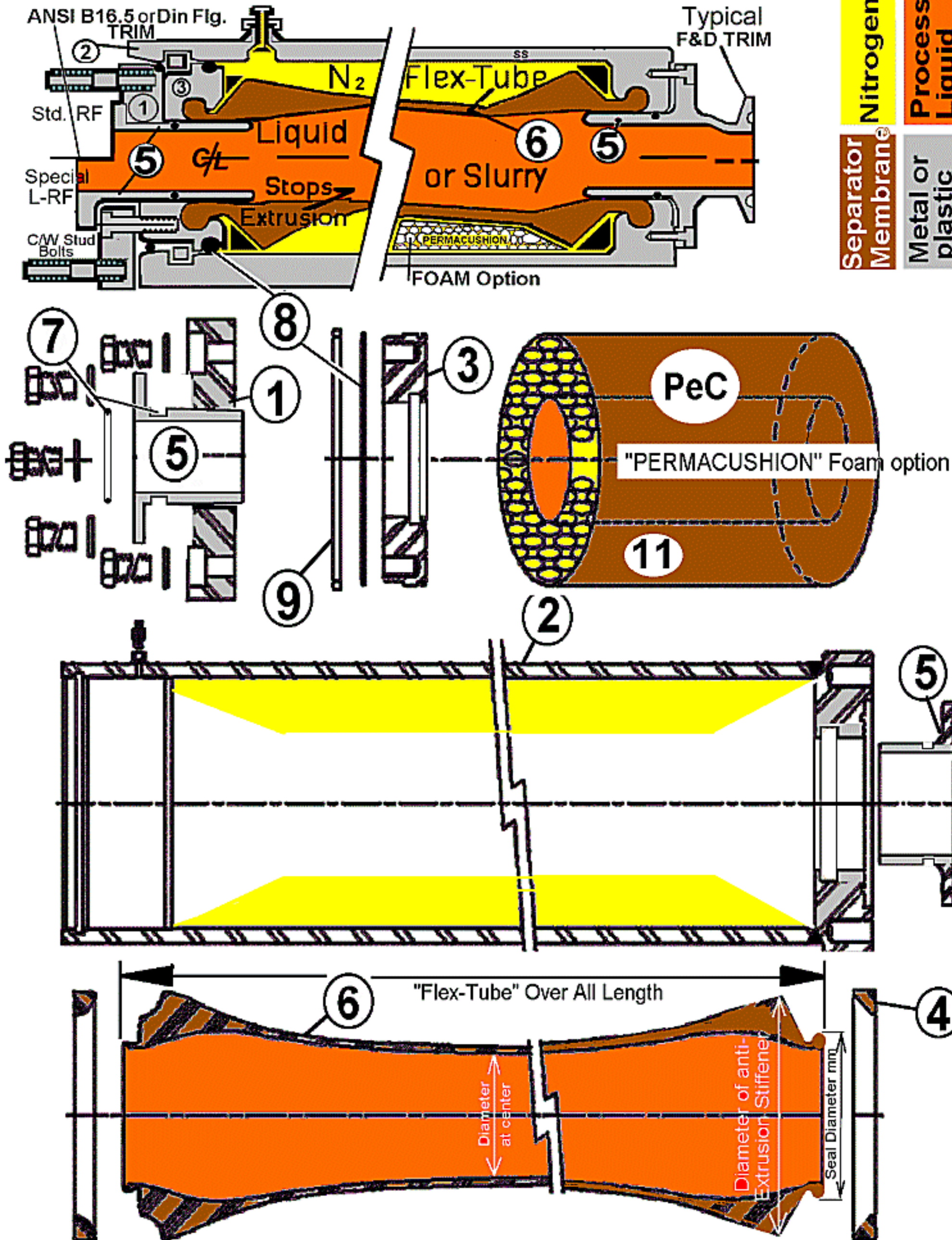


PART Nbr. & ID TYPE/Volume/Membrane -Mtl./Pressure/Connections/Metal Mtl.
PuG/---G(G=GALs)/T=tube seal mm x Lgth -?/---p (p=psi)/to Pmp.- to Sys./Wetted Pts.
Metric - PuG/ ---Lt =Litres/T=tube seal mm x Lgth -?/---Br=Bar/to Pmp.- to Sys./Wetted Pts.



- 1, Flange stud bolting plate.
- 2, Body Shell / Mtl -
- 3, End Closure
- 4, Corner Filling Ring
- 5, Flange face & seal compression tube.
- 6, Flex-Tube with anti extrusion ends
"FLEX-TUBE" Pt Nbr. is :
Seal bead OD mm
Intl. Diam. @ mouth
Anti-Extrusion Lump Diam.
Diam in Cntr. of tube
Overall length

Example
T122-100-139-1050-?
? = membrane Mtl Ref.
N= Butadiene AcryloNitrile
E=EthylenePropyleneTerPol
V=FluoroCarbonElast.
TO ORDER SPARES:
SK=Spares Kit (incl seals)
Example:
SK T122-100-139-1050-N
- 7, Corrosion ingress prevention seal
- 8, Diametral N2 Seal
- 9, Retaining / Snap Ring

FOR THE SAME PRICE AS A SPARES KIT

we will supply and fit a spares kit and recertify your damper for you
This way, you allow us to see as many of our products back as possible, and we learn the improvements that you need.
It is part of our ISO 9001 continuous improvement policy.

As a manufacturer of vessels to ASME VIII Div. 1 we believe in regular corrosion inspection and re hydro testing.

To return an item for service, first call to ask for a RGA / RMA (Return Goods/Mtl Authorization) Nbr.