

SOME OF THOSE WE HAVE BEEN PRIVILEGED TO SERVE :

Barr & Wray-
Coca Cola Alt-
antic / Midi / Swepe,
HP Bulmer, Kraft, Gen-
eral Foods / Jacobs / Suchard
Nestle UK, Rowntree Macintosh, St
Ivel British Sugar, Tate & Lyle citric, Tetley
Glaxo Foundation, William Grants & Son, Cussons,
Pfizer, Proctor and Gamble, -- Andrew Jergens, Bayer, Aventis --
Zeneca Pharmaceuticals, -- Myers, Burroughs Wellcome, Merrell Dow, NDM Corp.,
Pharmaceuticals, Baxter Health, Johnson & Johnson, Biopure, Bristol--
Gillette Co., Johnson & Johnson, Pharmacia Biotech, Unilever Research
Ohio Medical Carbide, Pharmacia Biotech, Proctor & Gamble (USA),
Powers Pharmaceutical Corp., The Upjohn Co., Universal --
Smith Kline Beecham (USA), Lever Brothers, Warner Lambert --
Amalgamated Sugar, Admiral Beverage, Bake Rite,
Coors Brewing, Ernest & Julio Gallo, General --
Foods, Hershey Chocolate, Hunt Wesson, Iams Co.,
Kellogg Co., M & M Mars, Malt O Meal, Nestle Foods,
Paterson Candy International, Quaker Oats,
Ralston Purina, Western Sugar,
Tropicana,

Dis-assembly and service instructions for other damper types are on the rear cover of each product leaflet

5 MINUTE DOWN TIME PULSE DAMPERS

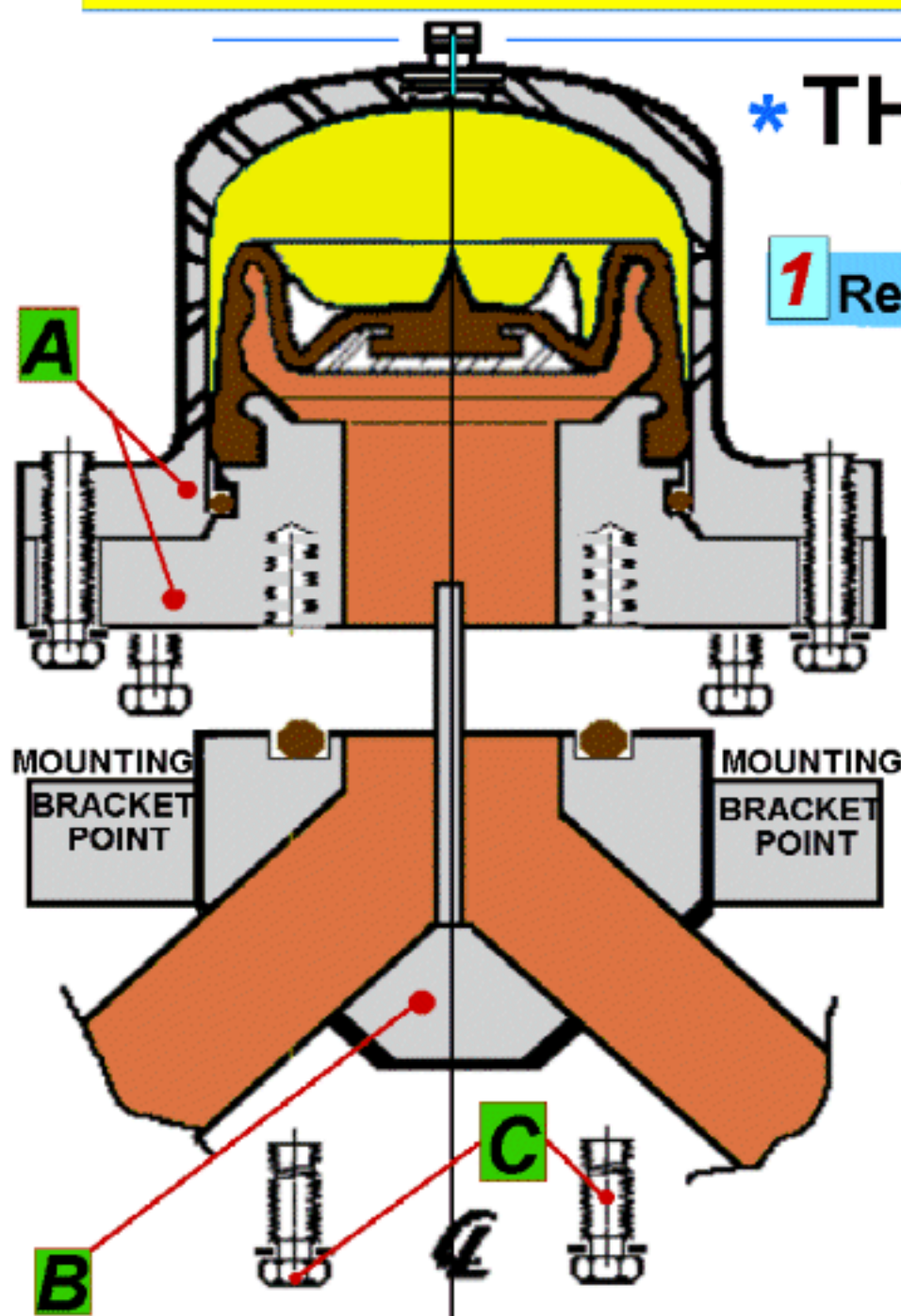


*** MOUNTING BLOCK / Piping Base PRODUCTS**

WARNING Pulse Dampers may be energy storing, Proceed with **EXTREME CARE**

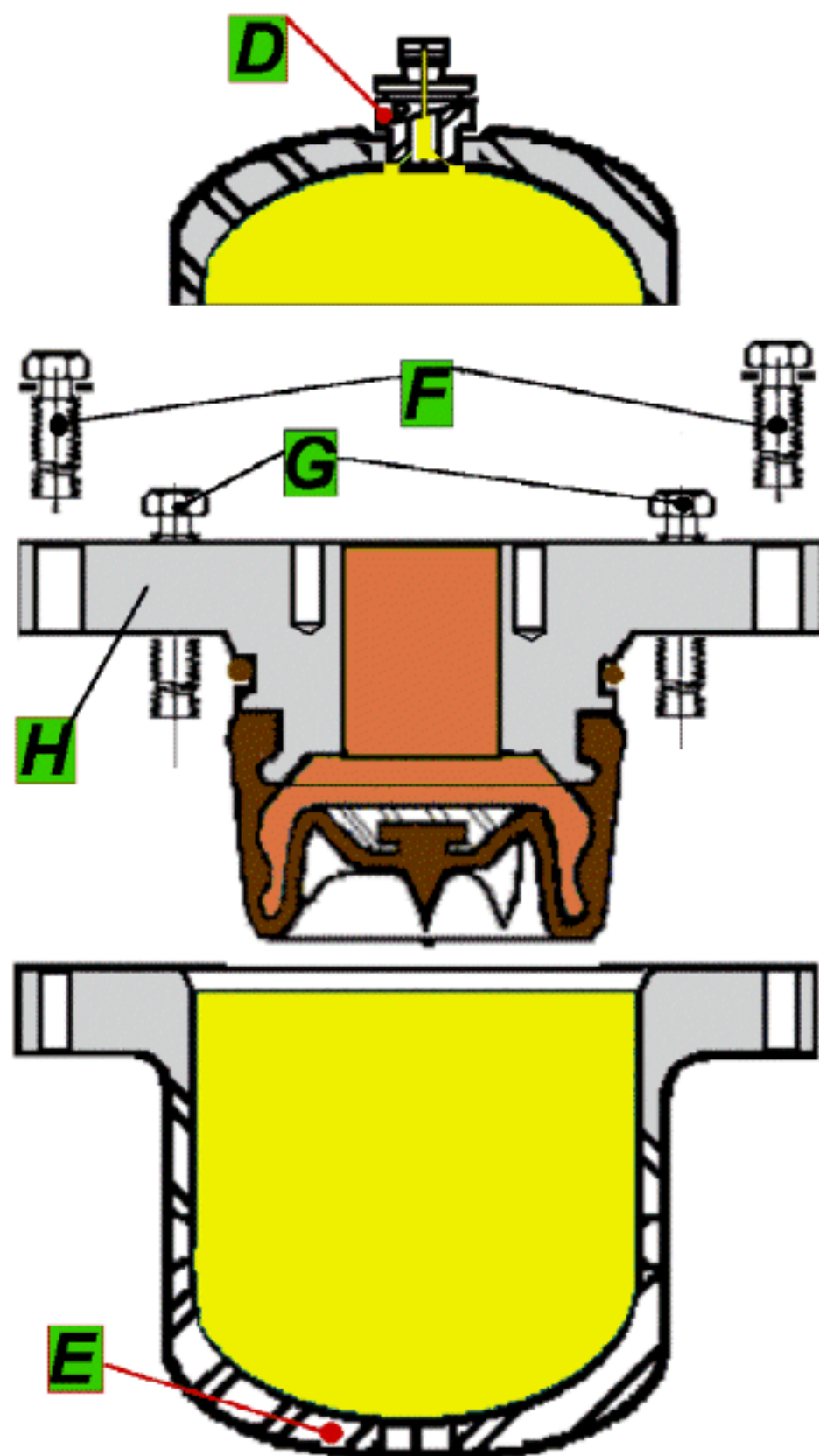
*** THE PIPEHUGGER Bolted configuration**

The bolted damper capsule body also speeds & simplifies disassembly compared to the tamperproof segmental lock ring standard



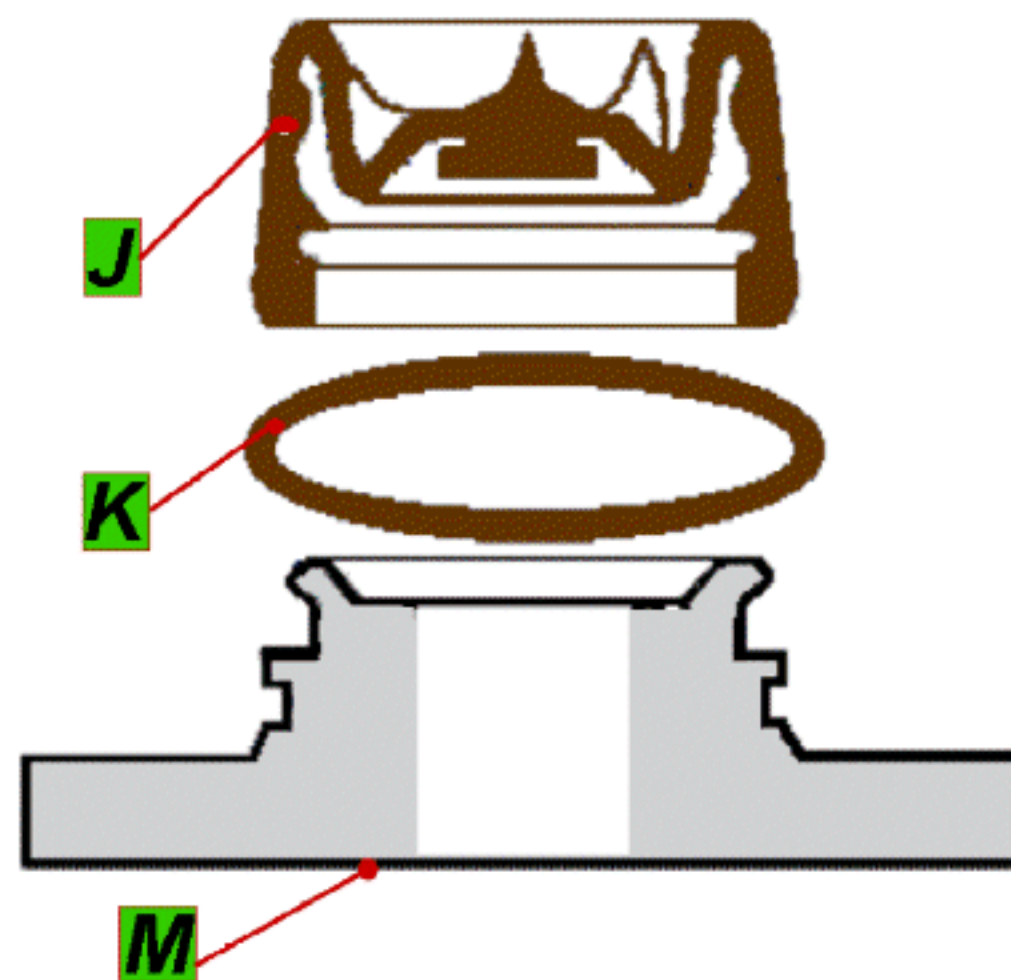
1 Release the DAMPER CAPSULE **A** from the MOUNTING BLOCK **B** piping base. by removing bolts **C** (NB. Not stressed for pipe loadings) NEVER RESTRAIN THE DAMPER CAPSULE

2 Open Cushion Pre-Fill Valve **9019c**, pt. **D** (see schematic) By removing the yellow sealing cap, and turning the 3/4" AF swivel nut. When all pre-fill pressure is released, unscrew the valve body and set care fully aside



3 Without scratching the sealing for Valve **D** Stand capsule on dome end **E** Remove all of 4, 8, or 12 bolts **F**

4 Using Jacking bolts **G** Lift base plate **H** out of dome **E**



SCHEMATIC of D
Pre-Fill Valve 9019c/304ss is used on all civil and military aircraft. It is totally reliable, and must not be replaced with other items. 9019c is opened & closed with 3/4" wrench. No special tools required.

5 Place base plate on a smooth clean surface so as not to damage sealing surface **M** remove bladder **J** and "O" seal, **K** place them in a plastic bag, seal the bag, & return it to factory immediately ■