

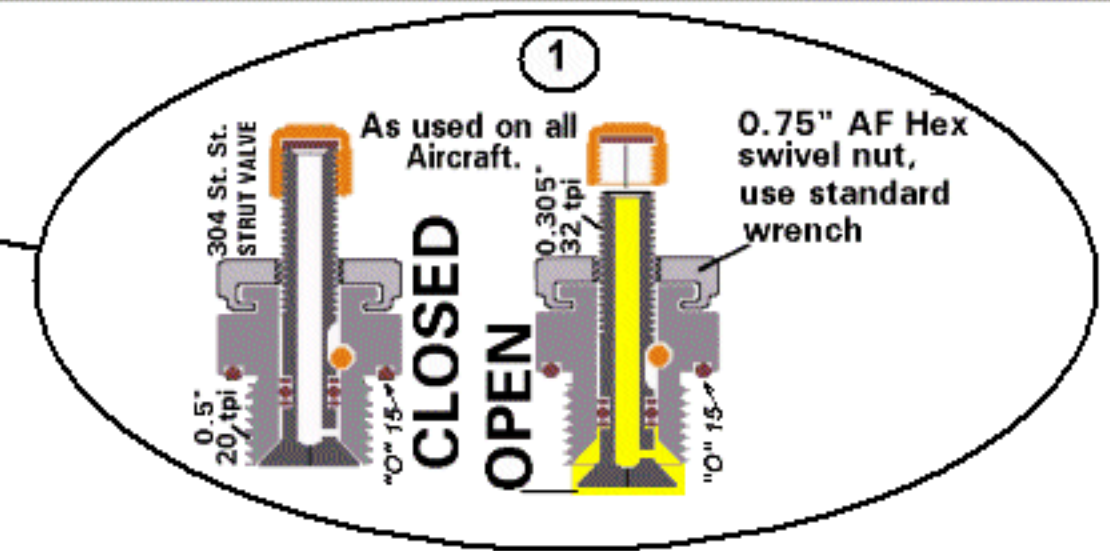
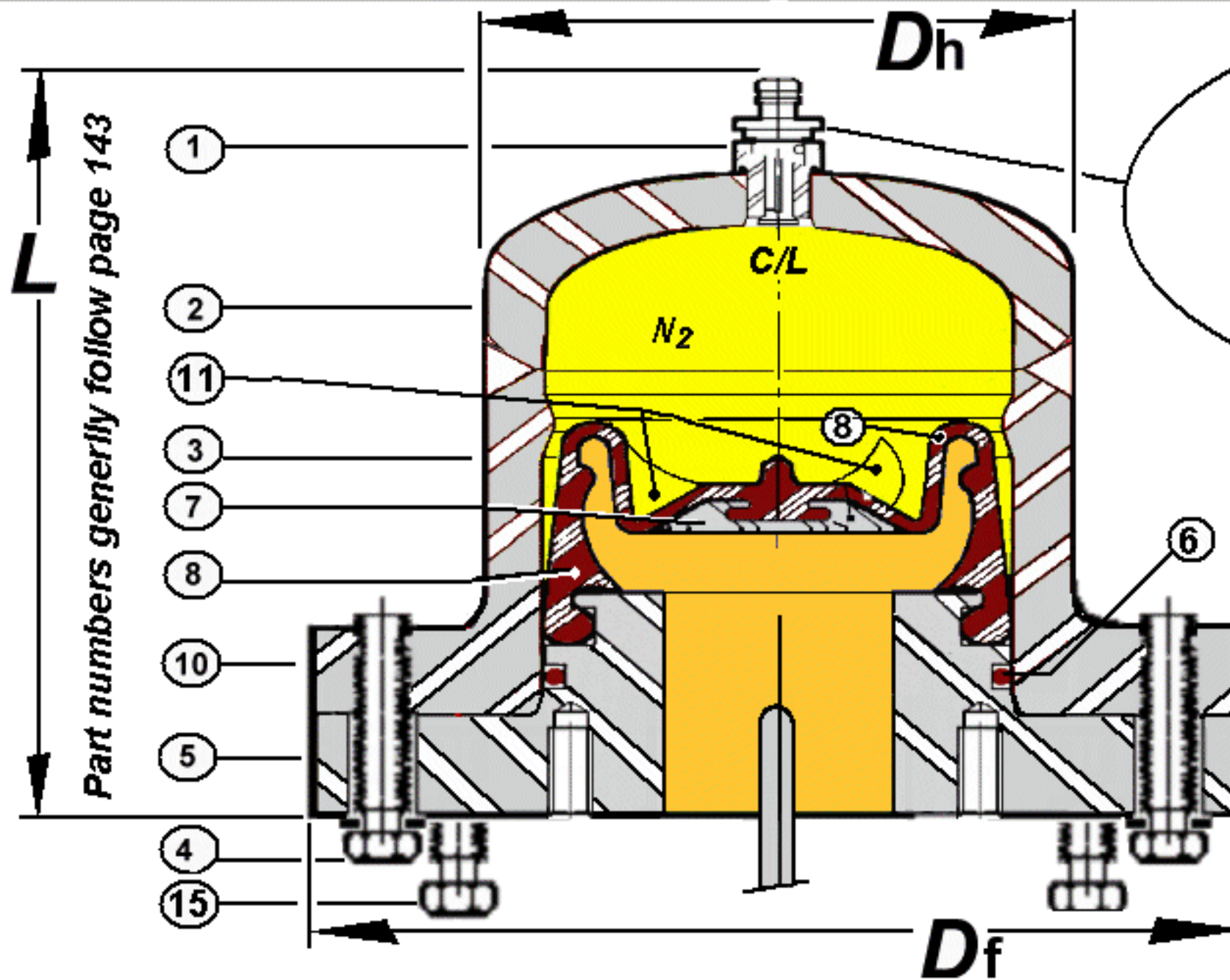
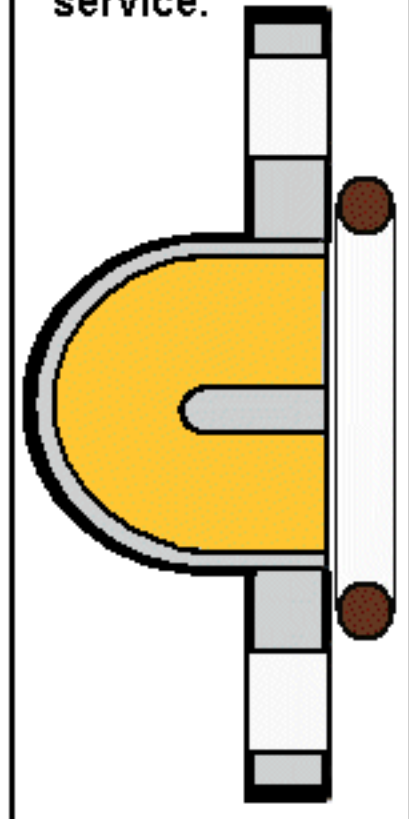
Bolted Pipe Hugger Phr-bltd/+Pb

For Multi-plunger, and multi flow stream homogenizer service.

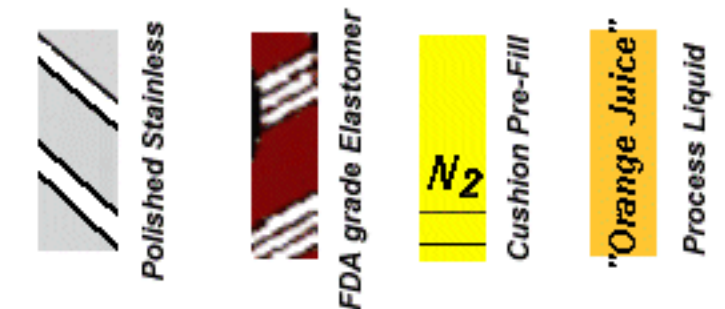
Pulse DAMPERS



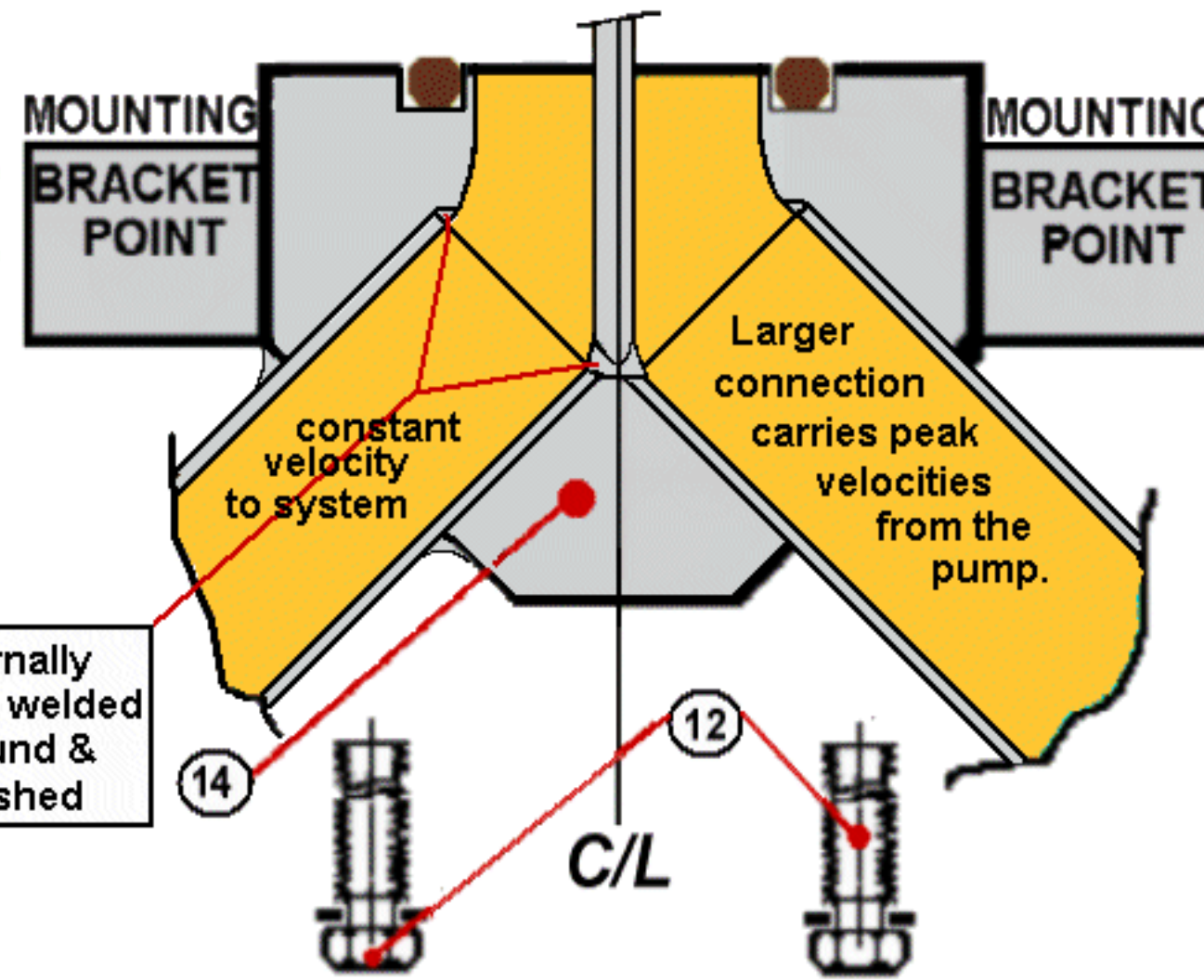
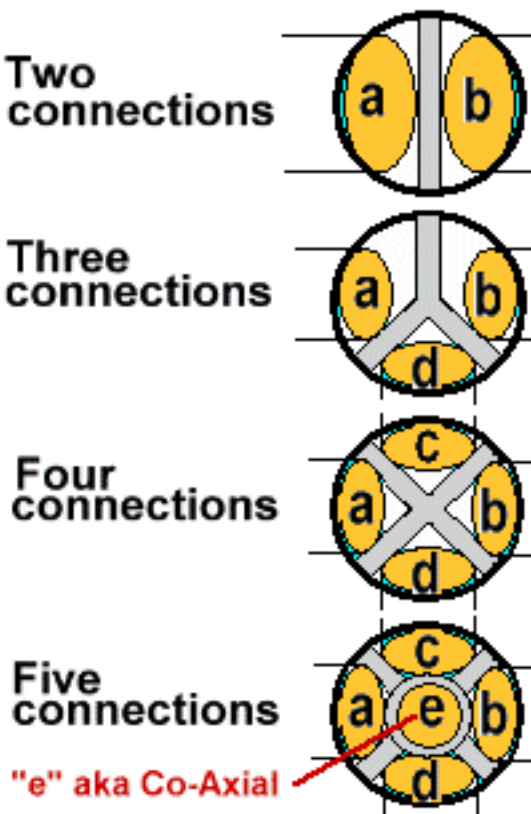
Flow through Diverter block, used for crud flush and hydro test before start-up. Maintains piping integrity during damper capsule service.



	mm	ins
Dh		
Df		
L		



Up to 6 connections each divided from the others, by a cross



Restrain the mounting block/piping base, do not restrain the capsule and tear it off the piping base by the pipes trying to move

Connection Type

Connection Sizes	Nbr.Of
a.	
b.	
c.	
d.	
e.	

ITEM	PT. Nbr.	DESCRIPTION	MTL	HT / CAST Nbr.	CUSTOMER
1	9109c	NITROGEN PRE-FILLING VALVE	304ss		CUSTOMER REF.
2		NITROGEN BONNET BODY	316L		3rd. PARTY QA. EXTRA
3		NITROGEN BONNET HEAD	316L		DOCUMENTATION LEVEL EXTRA
4		BOLTINGS 8 -12 PLACES			WELDING W:
5		LIQUID END PLUG, BOLTED	316L		QUANTITY
6		DIAMETRAL "O" SEAL			SHOP / JOB Nbr.
7		ANTI-EXTRUSION PLATE	316L		WEIGHT(Est.)
8		BLADDER (Definition = Membrane with LIQUID inside)			ISSUED BY M.P.
9					ISSUED DATE Feb 2002
10		BONNET FLANGE	316L		CHECKED BY D.B.
11		BLADDER STABILIZATION WEBS			FILE NAME
12		4 BOLTS FOR DAMPER TO BASE "O" SEAL FACE			SCALE Not To Scale.
13					Rev. # PhrBltdFD.bmp
14		MULTI-PORT FLOW THRU. PIPING BASE / MOUNTING BLOCK	316L		DIMENSIONS ARE mm
15		DISASSEMBLY "JACKING" BOLTS			unless otherwise stated