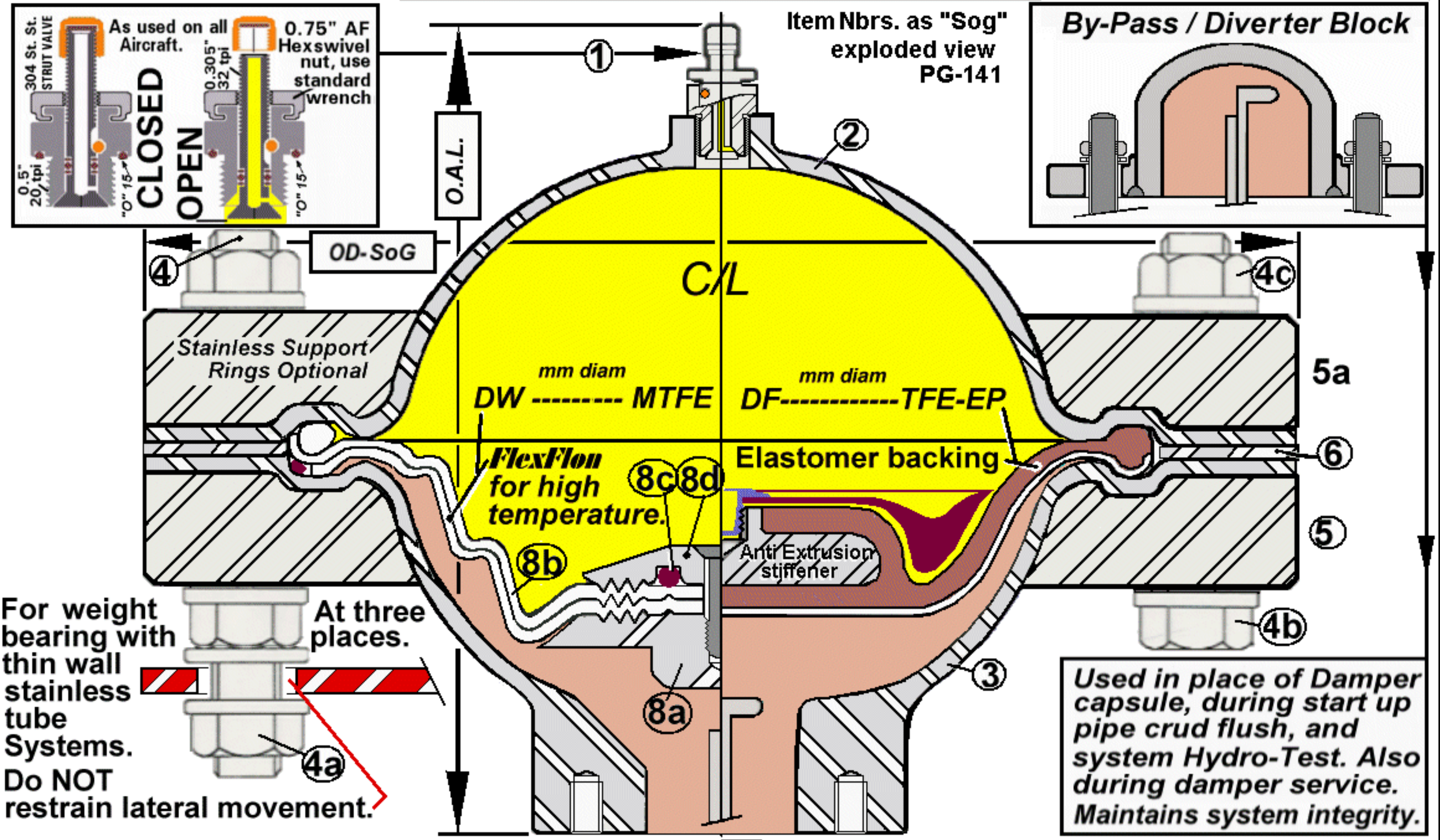
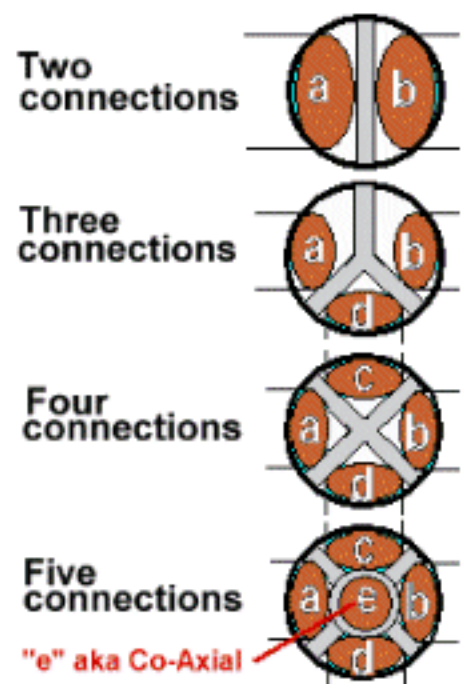


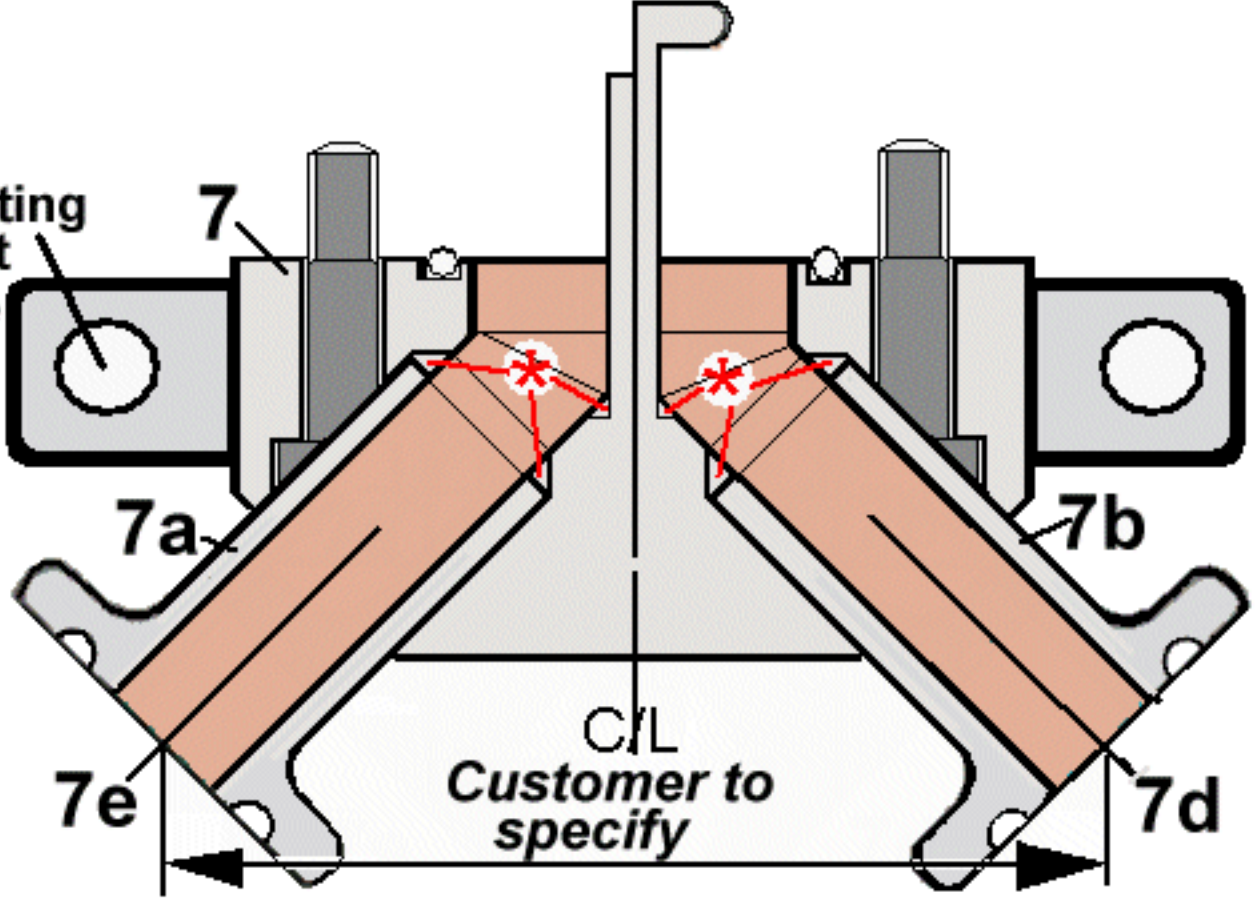
PG-155 Food & Drug service with polished stainless wetted parts. **Pulse Dampers**  
**Flexorber - LP Type SoG/ +PB**



Up to 6 connections each divided from the others, by a cross



Secure Mounting points. mount the pipe base not the damper.



**DIMENSIONS**

OD-SoG	in	mm
O.A.L.	in	mm
7e-7d	in	mm

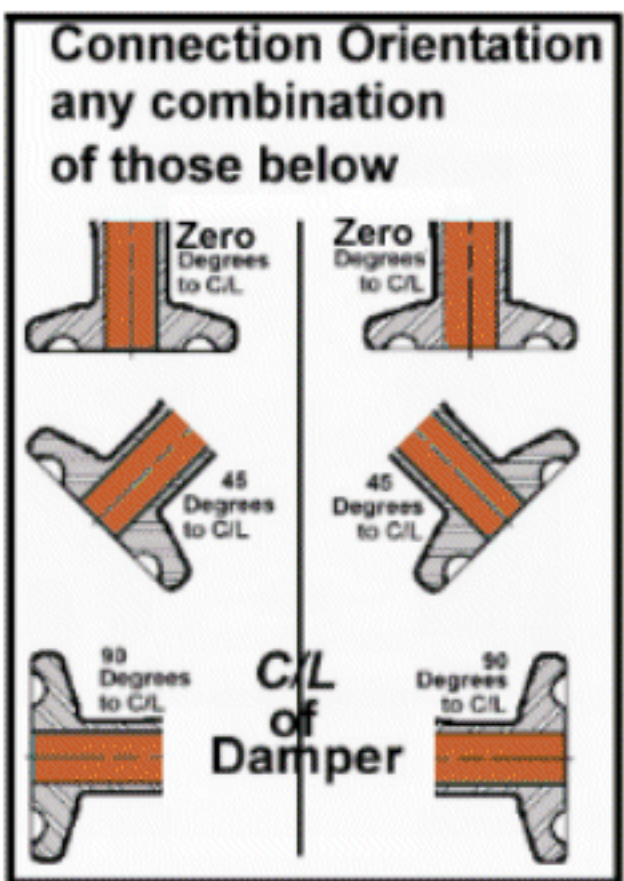
\* Internal Seal weld ground & polished

Polished Stainless Steel

N<sub>2</sub> Cushion Pre-Fill Gas

Multi Flexflon layer

"Chocolate" Process Liquid



ITEM	PT. Nbr.	DESCRIPTION	MTL	HT / CAST Nbr.	CUSTOMER
1	9019c	PRE-FILLING VALVE	304SS		CUSTOMER REF.
2		CUSHION CHAMBER	316L		3rd. PARTY QA. EXTRA
3		LIQUID CHAMBER	316L		DOCUMENTATION LEVEL EXTRA
4		ALL-THREAD 3 places			WELDING W:
4a		MOUNTING NUTS/WASHERS			QUANTITY
4b		BOLTS 9 places			SHOP / JOB Nbr.
4c		NUTS & WASHERS			WEIGHT(Est.)
5		SUPPORT RING			ISSUED BY M.P.
5a		GAS SIDE SUPPORT RING			ISSUED DATE Feb 2002
6		SPACER RING			CHECKED BY D.B.
7		PIPING BASE BLOCK	316L		FILE NAME SoG/"O"/ss-TFE + PB-tw/ss
7a 7b		PIPE or TUBE	316L		SCALE Not To Scale.
7c 7d		PER CUSTOMER SPEC.	316L		Rev. #
8 a b c d		FLEXFLON DIAPHRAGM assy. with anti extrusion plates	MTFE & 316L		DIMENSIONS ARE unless otherwise stated mm

**PULSEGUARD** Ltd. Inc.  
 For Americas & Pacific --01(1)910-270-2737  
 For Europe & East --44(0)161-442-6222

View Number

IN ASSOCIATION WITH OTHER M. PACKER LICENSEES :-

Flow-Guard.com Flow-Fuses  
 SsAccs Ltd Special Accumulators  
 ShockGuard USA Pipe Shock Alleviators  
 Liquid Dynamics International Inc. Analysis

Drawn by