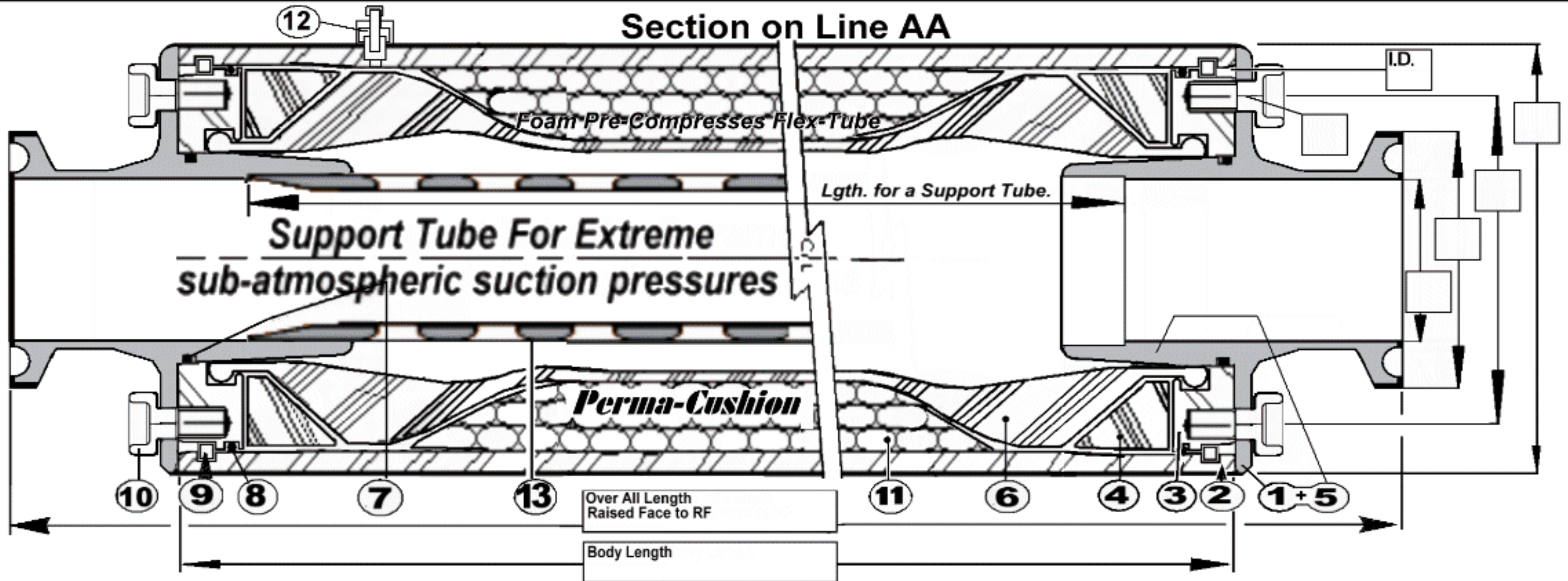
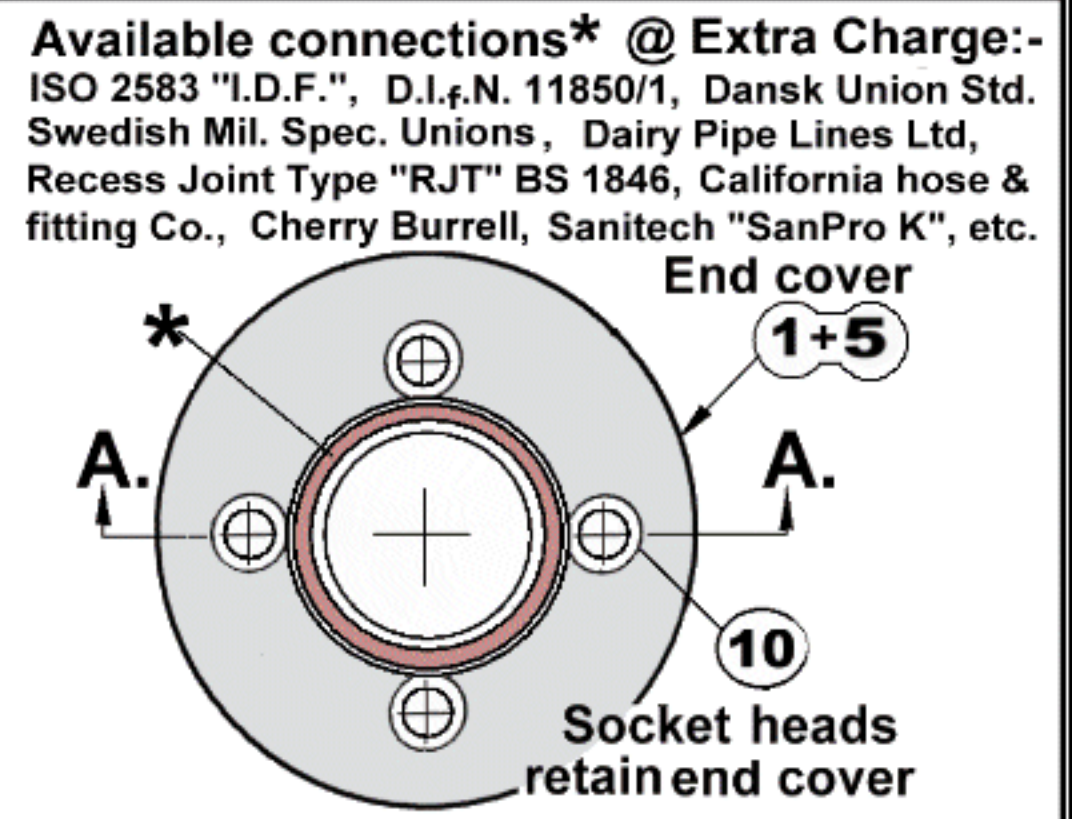
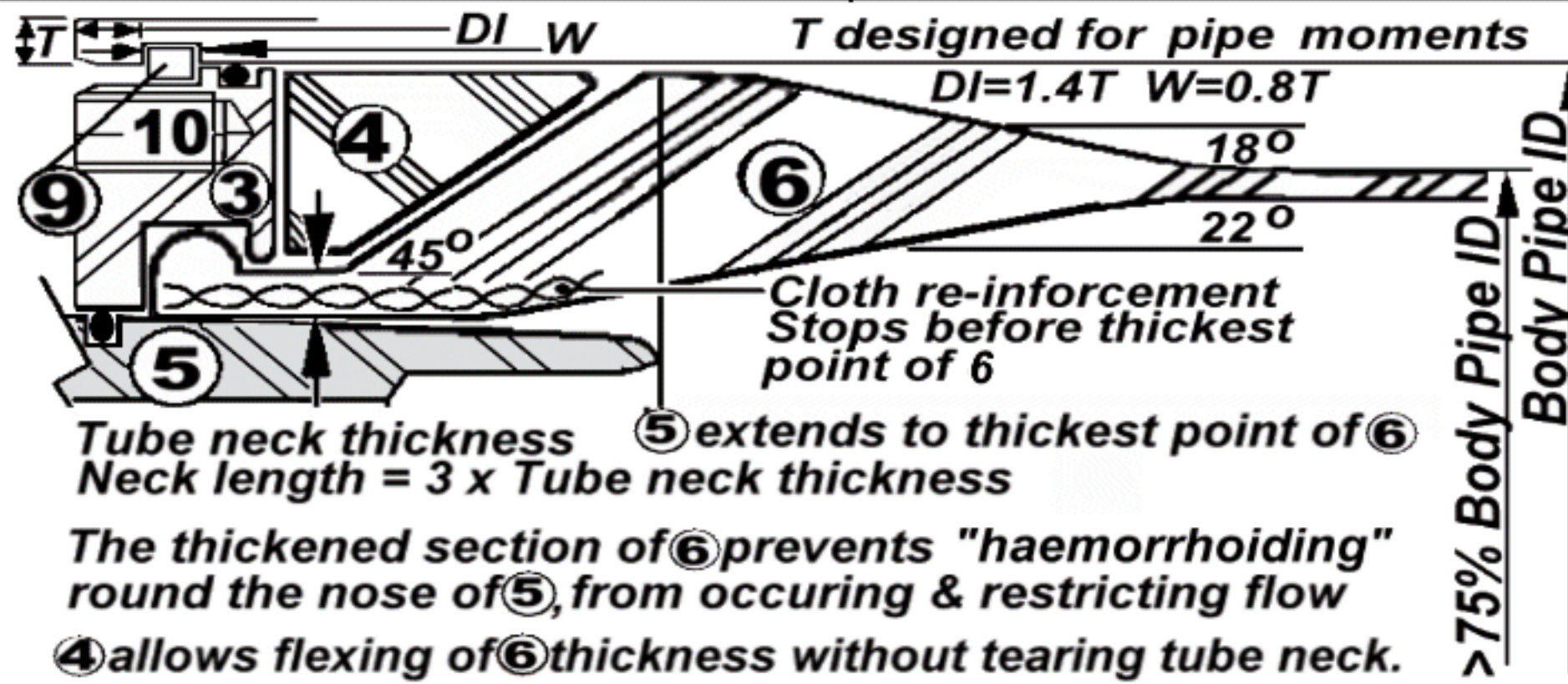


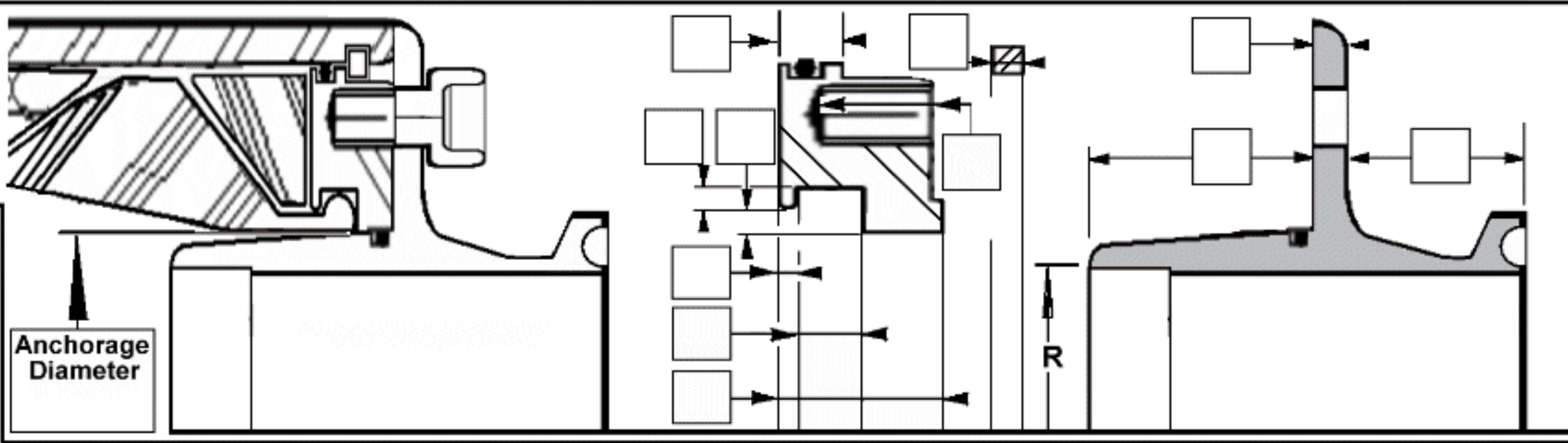
"PUG/F&D" PumpGuard "Clear-Flo" for in place flush.

Pulse Damper for viscous liquids & slurries in suction and LP discharge lines



□ = Record of as built dimension

R Lgth. for a Support Tube.



CONNECTION OPTIONS Extra.
 Through hole bolting and addition of threads by flanged spools

+FLG

150# only

Where standard stud bolts must pass THROUGH additional flanges are provided

+TD Thread only available Sch. 80 & up.

Where a thread is required, a flanged thread is bolted on.

ITEM	PT. Nbr.	DESCRIPTION	MTRL	HT / CAST Nbr.	CUSTOMER
1		END COVER & LIQUID CONNECTION	PVQ CS		CUSTOMER REF.
5+		ANCHOR TUBE W/ SEAL & TRICLOVER	316SS		3rd. PARTY QA. EXTRA
2		BODY PIPE WITH GROOVED ENDS	106B		DOCUMENTATION LEVEL EXTRA
3		END PLUG WITH SEAL GROOVES	PVQ CS		WELDING W: NONE
4		CORNER FILLING RING	Rubber		QUANTITY
6		FLEX-TUBE WITH THICKENED ENDS	Elastomer		SHOP / JOB Nbr.
7		ANCHOR TUBE "O" SEAL	E,N,orV		WEIGHT(Est.)
8		END PLUG "O" SEAL	Epdm		ISSUED BY M.P.
9		SEGMENTAL LOCK RING	106		ISSUED DATE Feb 2002
10		CONNECTION HOLDING SOCKET SCREW	304ss		CHECKED BY D.B.
11		FOAM CUSHION FOR SUCTION JOBS	Urethane		FILE NAME Pug-F&D.bmp
12		N2 PRE-FILL VLV. for DISCHARGE APPS.	304ss		SCALE Not To Scale.
13		PERFORATED SUPPORT TUBE	304Lss		Rev. # 0
14 or 15					DIMENSIONS ARE unless otherwise stated mm

Reading the Pt Nbr. To Suit Specific Pump Type / PumpGuard / With PermaCushion / or / With Perorated Support Tube / Number of in3 capacitance Vol or +Liters / Lbs In2 design pressure / Connections / wotted materials
 HOS=Hose, PROG-C=Progressive Cavity/ "PUG" / "PEC" / or / "PST" / 230 or 4 Lt., 3465 or 57Lt., 12250 or 200Lt./ Example 550p = 550 psi / 10" 300# / 316= 316/316L SS