

PIG-PLAS PIPEGUARD

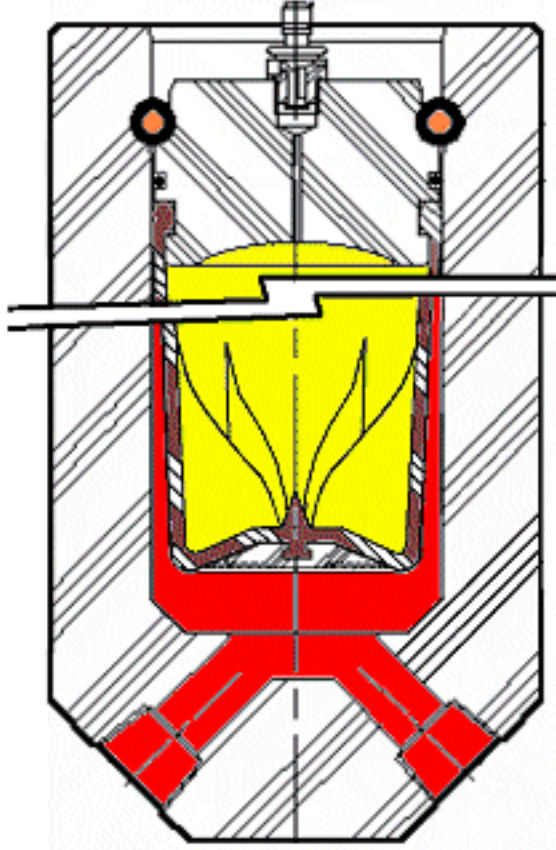


1, 6, 15 & 30 in3
FROM SOLID

60 in3 / 1.0 Liter
And Above
TYPE SF-"O"

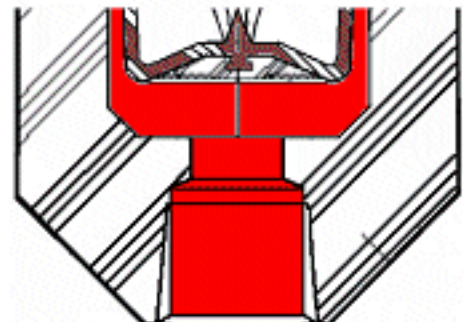
- TW

**TWIN-PORTED FLUSH-IN-PLACE
TRUE THRU-FLOW**
With Piping Base Block or direct threaded.
COMPOSITE GENERAL VIEW

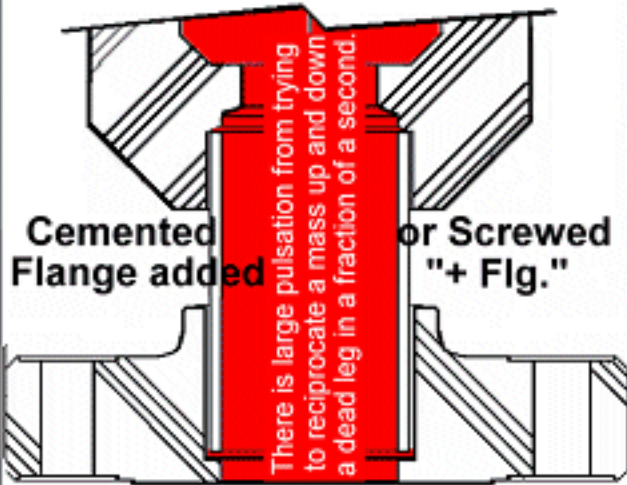


No "T" piece required.
Type TW Threaded

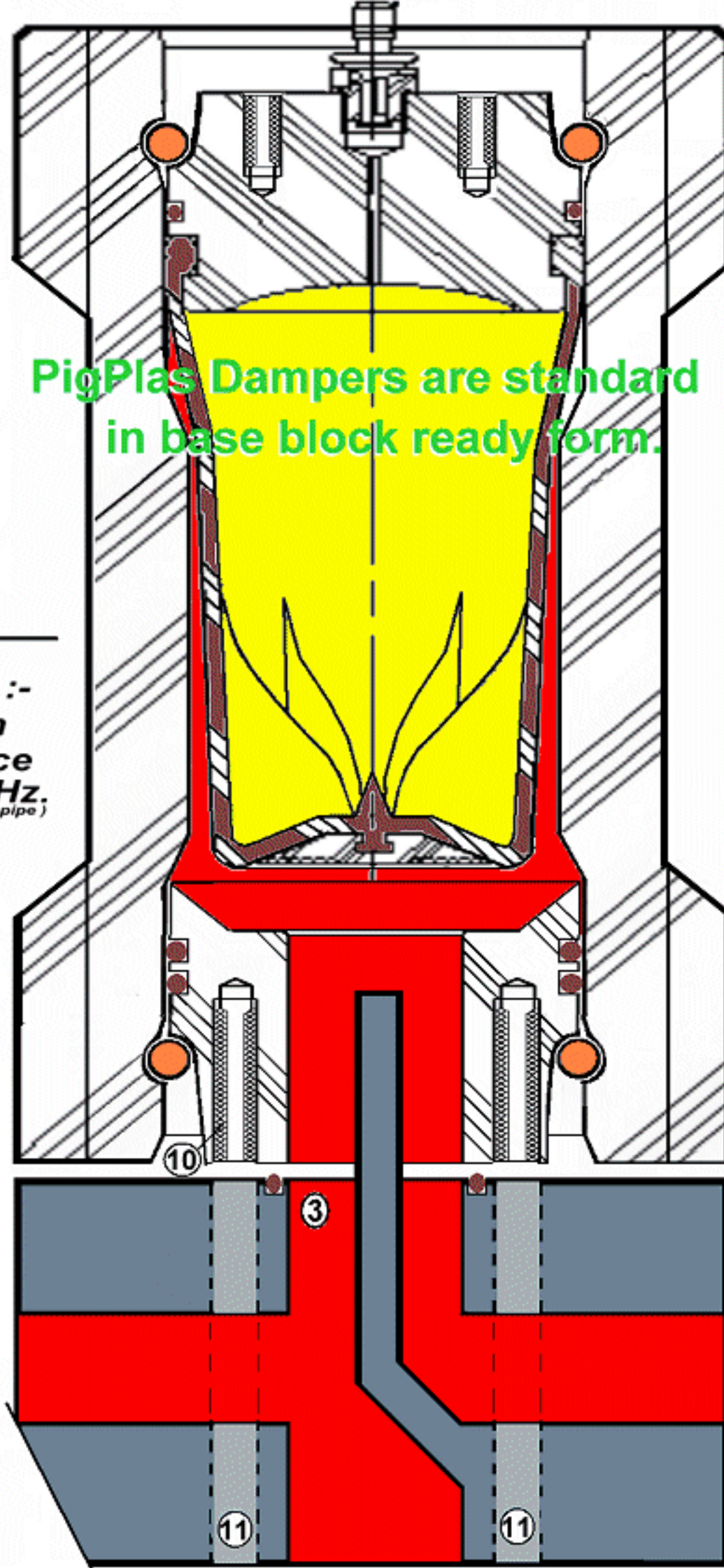
Single connection
Not recommended for :-
a. Pulsation Interception
b. Flushing before service
c. Frequencies above 7 Hz.
(Shorter than 700 Ft of pipe)
d. Constant Temp.
e. Particulate service.



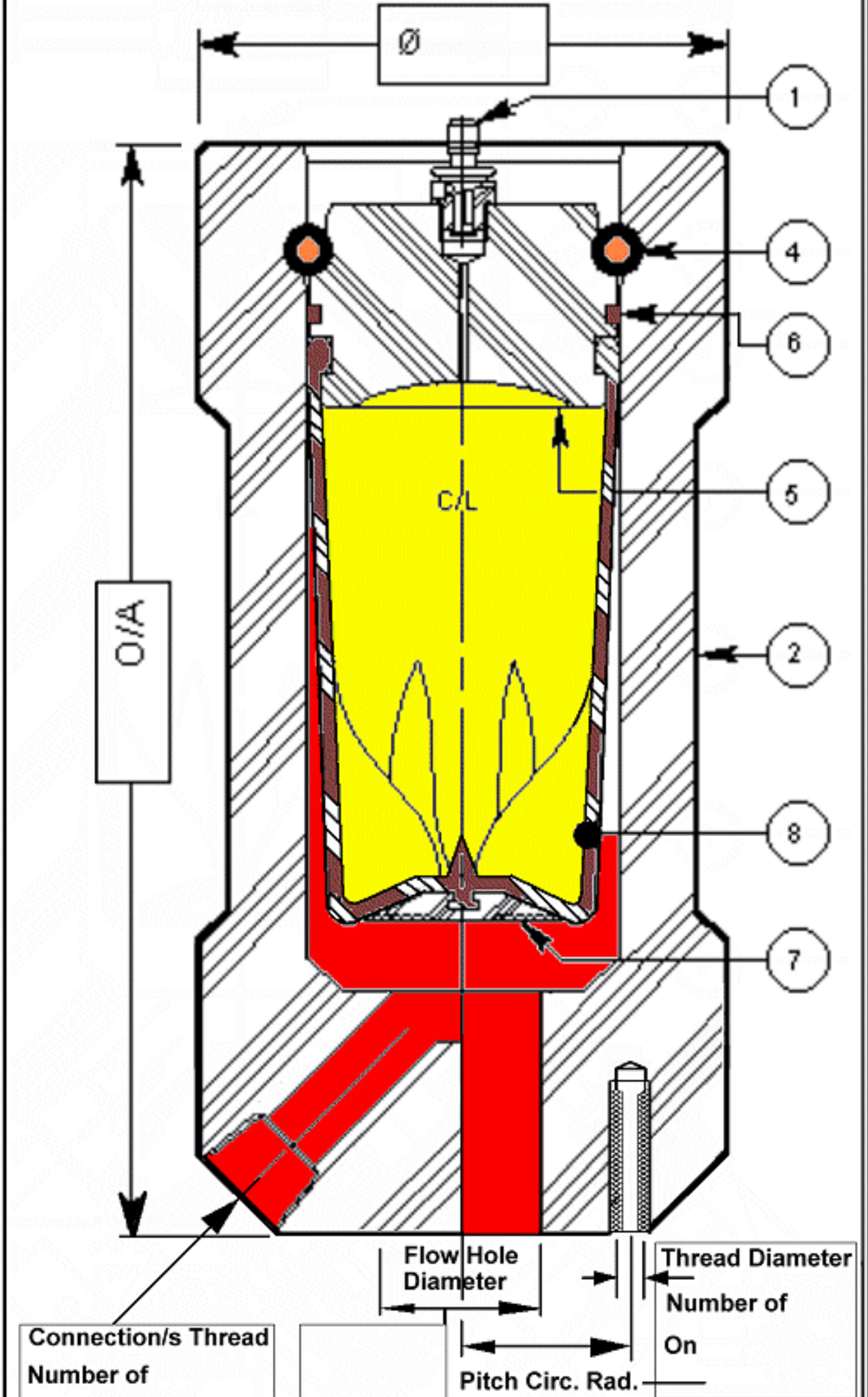
1 Connection
Special Needs a "T"



Needs A Flanged "T"



Connections Base Block
Any combination & orientation of multiple connections.



Item	Part No.	Description	Material	I.D. #
1	9019C	Cushion Pre-Fill Vlv.	304 St. St.	
2		Body	Polypropylene, PVC, Nylon,	
3		Face "O" Seal		
4		Segmental Lock Ring	Brass/Bronze	
5		Gas End Closure		
6		Diametral "O" Seals	0.25" Nom Dia, 60 IRH	
7		Anti-Extrusion Plate	Poly-Prop. or PVC	
8		Gas Bag	E.P.D.M., Hypalon, Viton, etc.	
9		Liquid End Closure		
10		Helicoil Thread Inserts		
11		Base Block Bolts 4		

CUSTOMER:
 CUSTOMER REF.:
 QUANTITY:
 W/O No.:
 WEIGHT (EST.):
 W:
 ISSUED BY:
 CHECKED BY:
 (DAY/MONTH/YEAR)
 ISSUE DATE:

PULSEGUARD
 Guard Against Pulsation Licensed M. Pecker 1963
 ISO 9001 - 95-LON-AQ-458 CE 0040 SS0210435
 www.pulseguard.co.uk www.pulseguard.com
 PO Box 47 Stockport Box 506 Hampstead
 SK5 7BB Ches. UK NC 28443-9110 USA
 --44(0)161-442-6222 --01-910-270-2737
 Facsimile -443-1486 Fax. -01-910-270-2740
 In association with ShockGuard Ltd & Liquid Dynamics International Ltd

TITLE: **IN-LINE PIPEGUARD AND ACCUMULATOR**
 APPLICATION: **FERRIC CHLORIDE, SODIUM HYPOCHLORITE, DISOLVED CHLORINES & HYDROCHLORIC ACID, etc.**

FILE REF: PigPlasV.bmp
 SCALE: NTS ALL DIMENSIONS ARE IN MM EXCEPT AS STATED.
 VIEW NO. **PIG-PLAS/**
 SHEET: 1 OF 1 REV. 0